

## #UP1014 Loose T-shirt

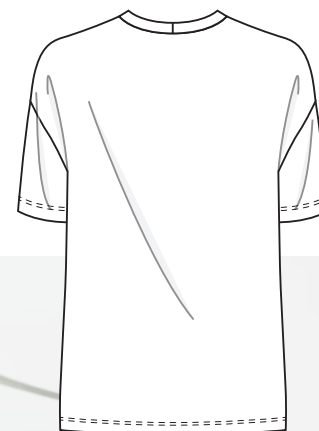
This no-frills T-shirt is designed with a relaxed fit, making it ideal for lazy days at home or running errands. It simply features a crew neck and dropped shoulders. Get ready to create a cozy and stylish addition to your wardrobe. Beginners welcomed!

**1 cm seam allowance included!**

Front



Back



### Material

- 100 x 150 cm of 40-50% stretch jersey with spandex
- All-purpose thread
- Stretch needle
- Stretch twin needle

### Print & Assemble

- First, be sure to use ACROBAT READER to open your PDF sewing patterns. It's free!
- Then, open your file and click on the LAYERS icon (left side of the screen) and uncheck all the sizes you won't need.
- Now, click on the PRINT icon at the top of the screen. The print settings will appear, so verify that the ACTUAL SIZE option is checked. Click on the PRINT button!
- A 5 x 5 cm (and 2 x 2") control square is provided to ensure that your pattern is true to size.
- To ASSEMBLE, cut the sheets at the bottom and right margins, as indicated. Each sheet is labelled with a letter and a number (A1, B2...), so tape them together in numerical and alphabetical order. The sheets on one row should have the same letter, and the ones on the same column should have the same number.

### Sizing Guide

	XXS	XS	S	M	L	XL	XXL
<b>Bust</b>	85 cm	89 cm	93 cm	99 cm	105 cm	113 cm	121 cm
<b>Waist</b>	64 cm	68 cm	72 cm	78 cm	84 cm	92 cm	100 cm
<b>Hips</b>	92 cm	96 cm	100 cm	106 cm	112 cm	120 cm	128 cm

This pattern is drafted according to a standard height of **1.64 m**.

### Garment measurements

- **Length:** approx. 61 cm

## #UP1014

### Loose T-shirt

---

#### Pattern Pieces

- Front, 1x fabric
- Back, 1x fabric
- Neckband, 1x fabric
- Sleeve, 2x fabric

#### Sewing Assembly

Unless otherwise specified, sew using a **1 cm** wide seam allowance.

1. Sew the shoulders.
2. Make the neckband.
3. Attach the neckband to the neckline (stretch to fit).
4. Attach the sleeves.
5. Sew the side and underarm seams.
6. Hem the bottom of sleeves with the twin needle (turn once 3 cm).



Share a photo of you  
wearing proudly  
your new cozy T-shirt  
with

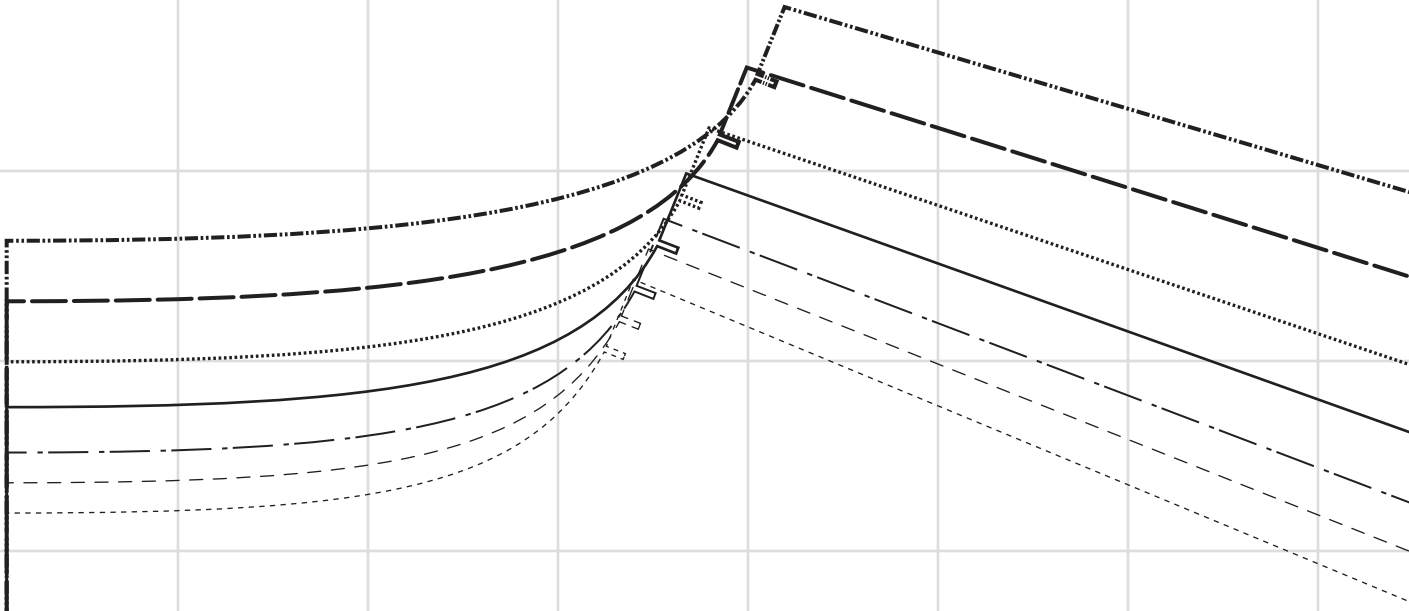
**#unfetteredpatterns!**

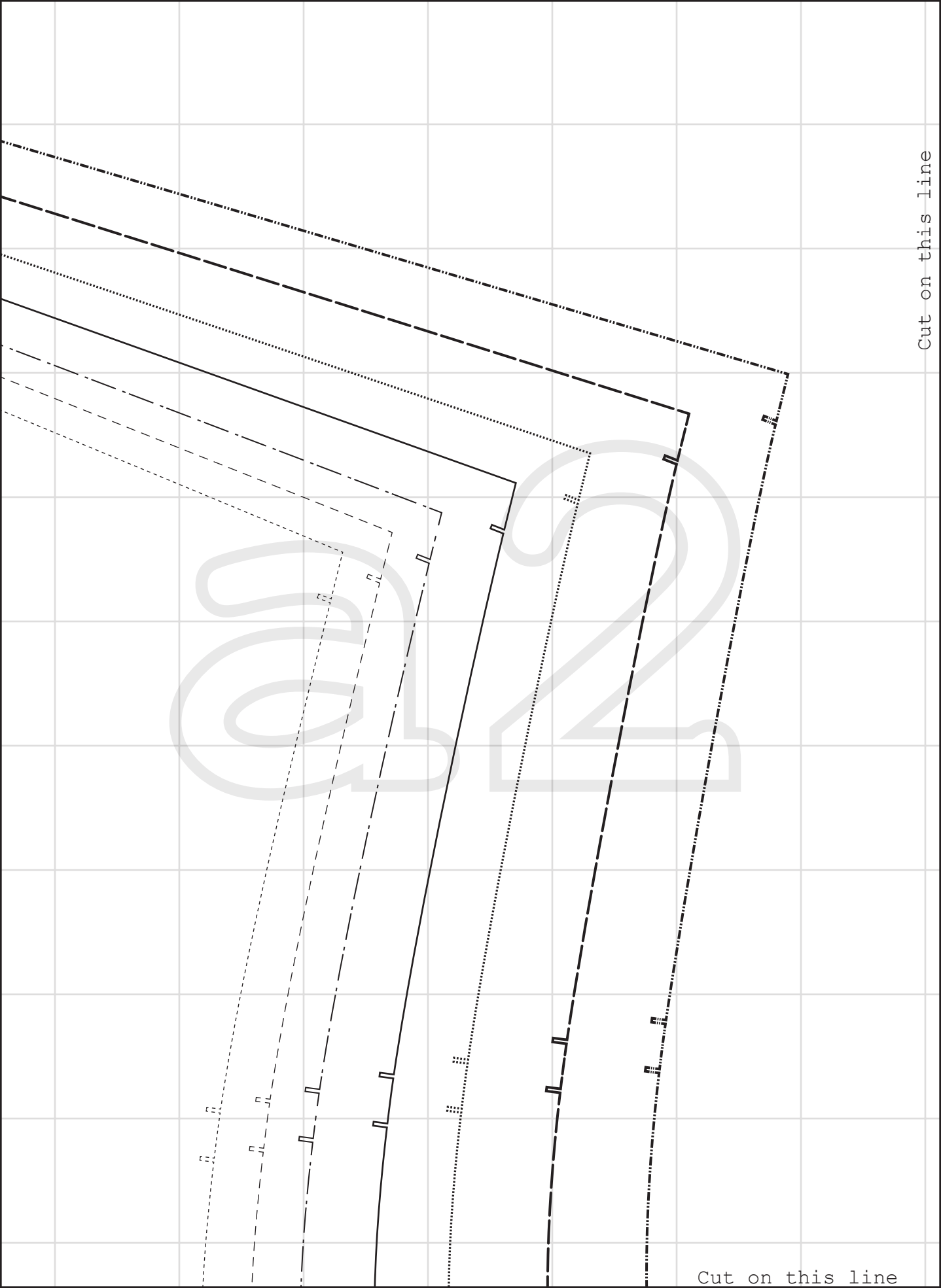




Cut on this line

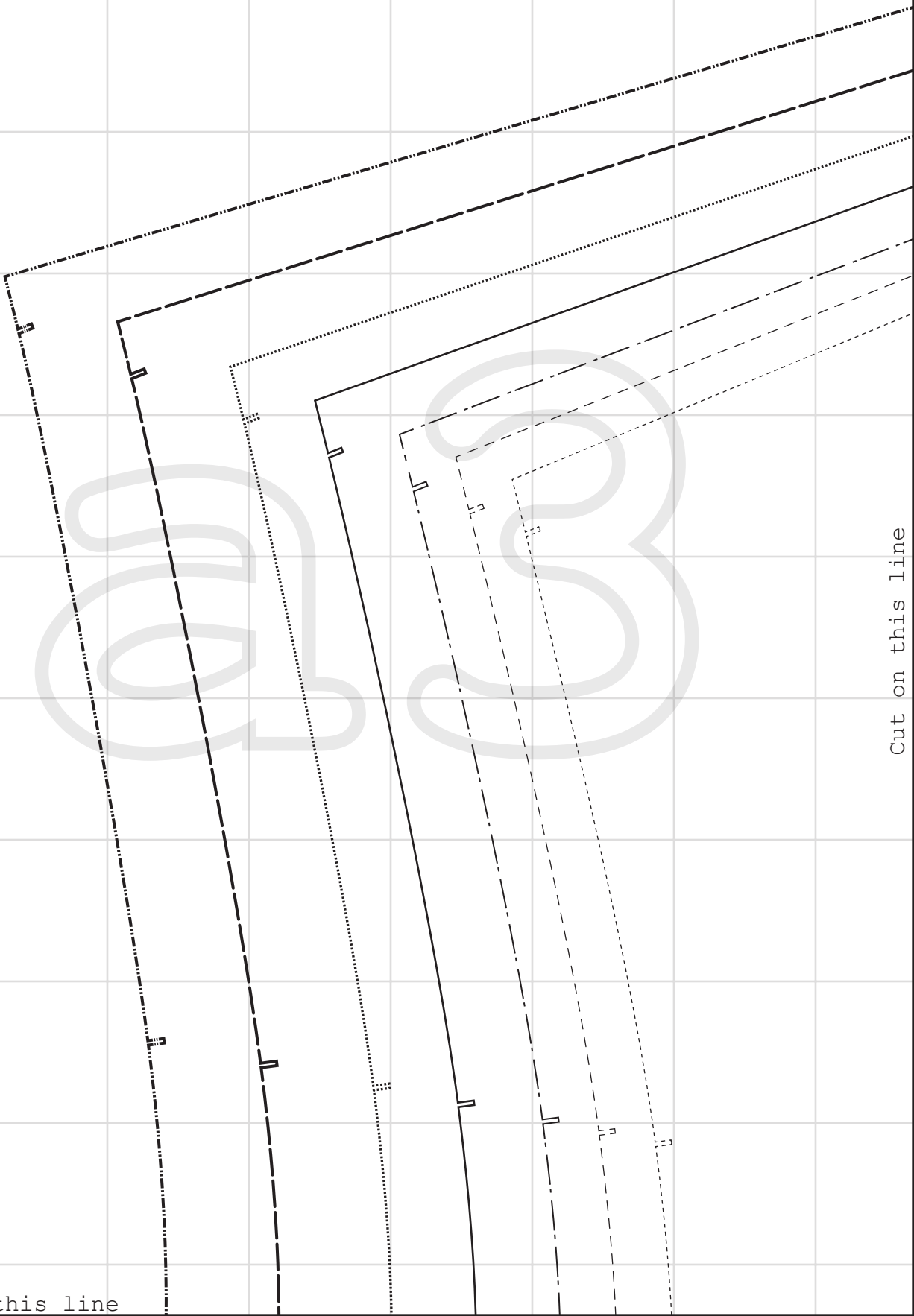
Cut on this line





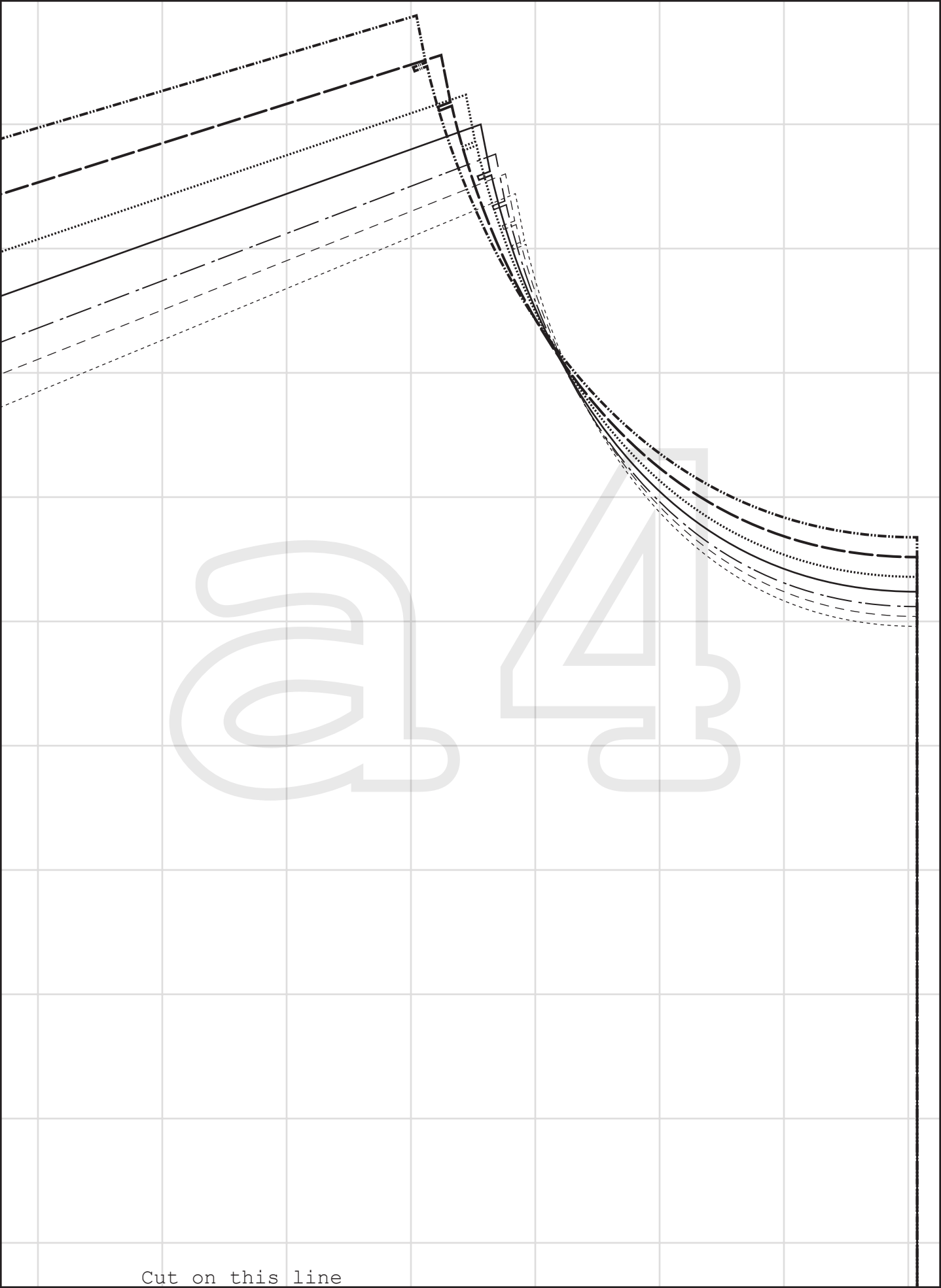
Cut on this line

Cut on this line



Cut on this line

Cut on this line



Cut on this line

# unfettered

— unfettered patterns —

[unfetteredpatterns.wordpress.com](http://unfetteredpatterns.wordpress.com)

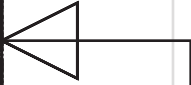
Model #UP1014

Sizes **XXS-XXL**

## Front

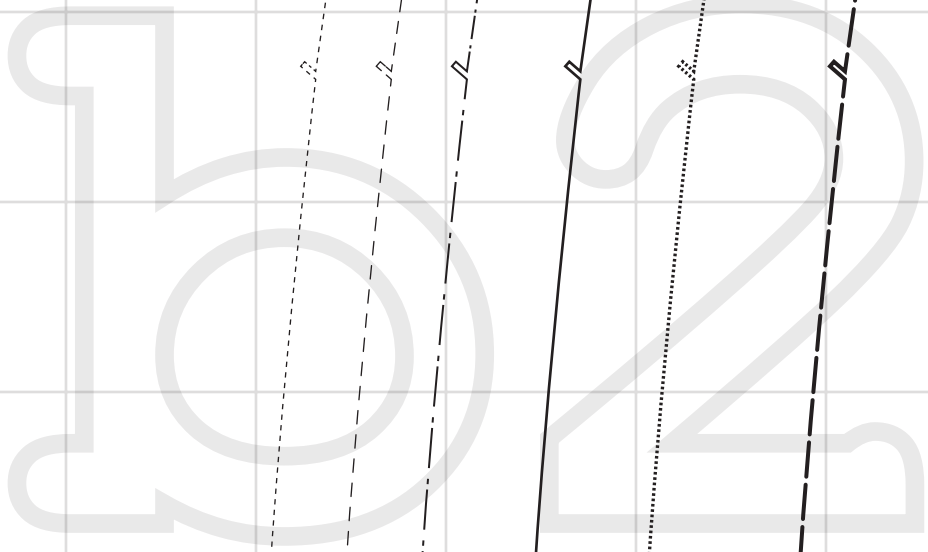
Cut x1 fabric

Grainline



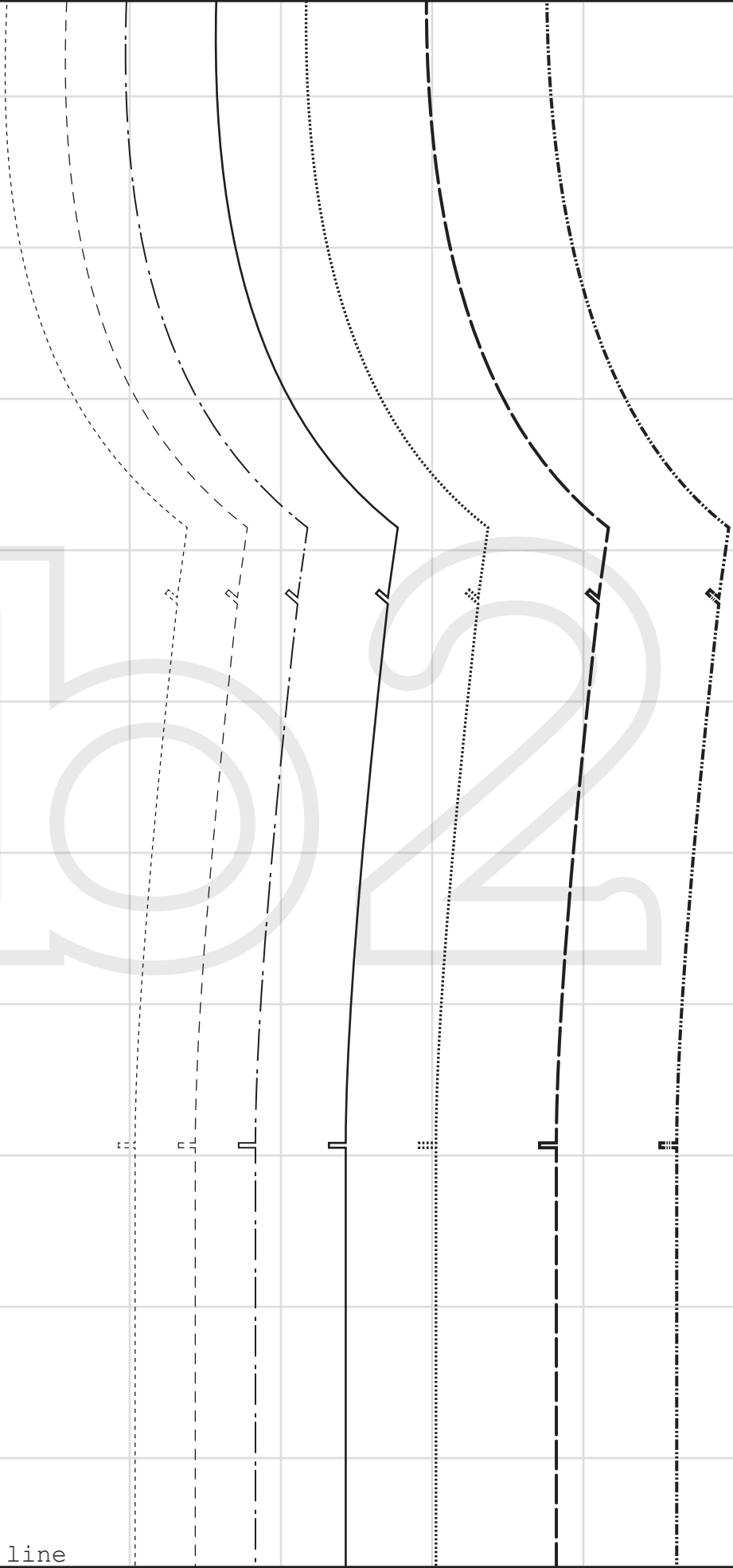
## SIZE KEY

XXL	.....
XL	-----
L	.....
M	-----
S	-----
XS	-----
XXS	.....

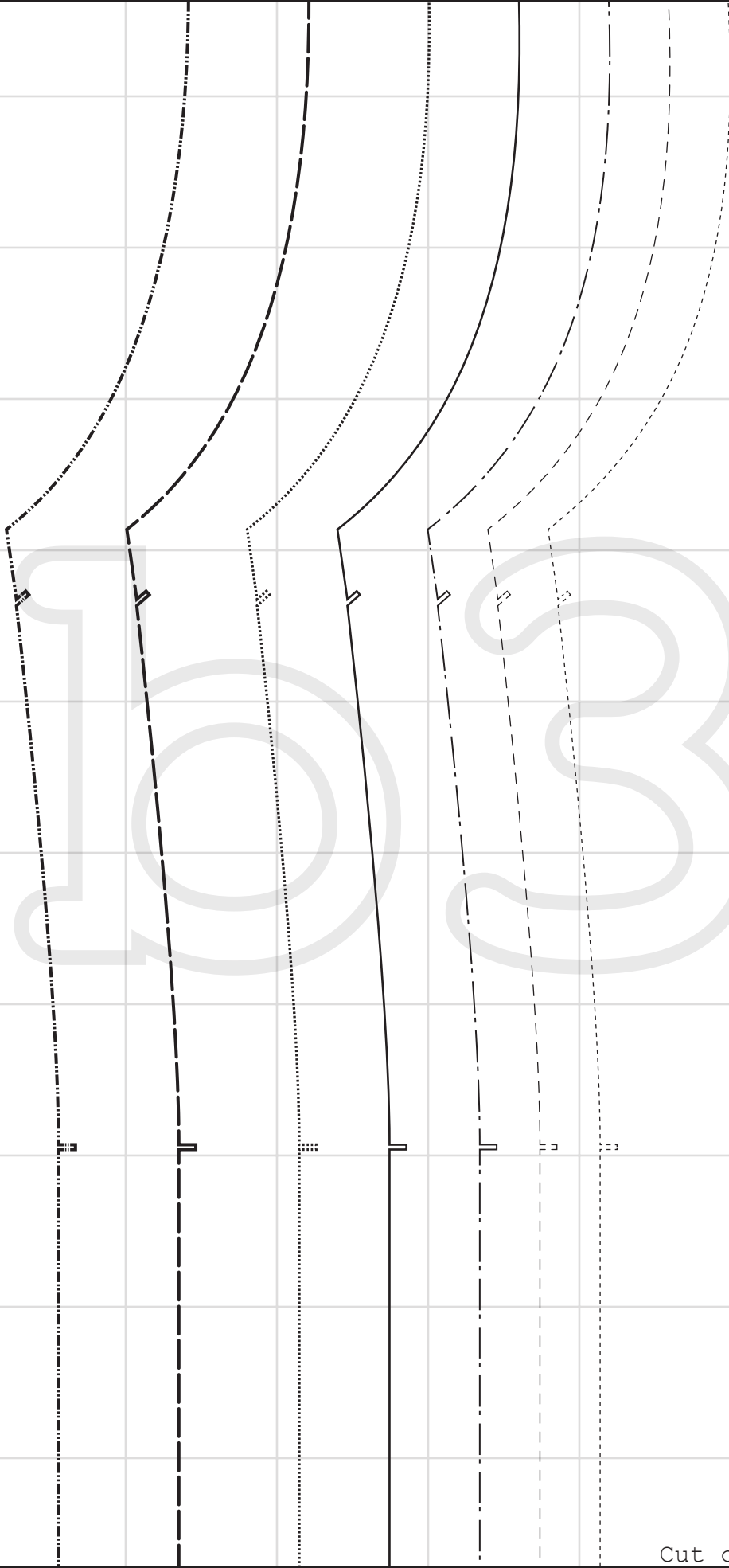


Cut on this line

Cut on this line







Cut on this line

Cut on this line

*unfettered*  
— unfettered patterns —

[unfetteredpatterns.wordpress.com](http://unfetteredpatterns.wordpress.com)

Model #UP1014

Sizes **XXS-XXL**

**Front**

Cut x1 fabric

1014

Grainline

### SIZE KEY

XXL

XL

L

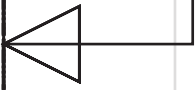
M

S

XS

XXS

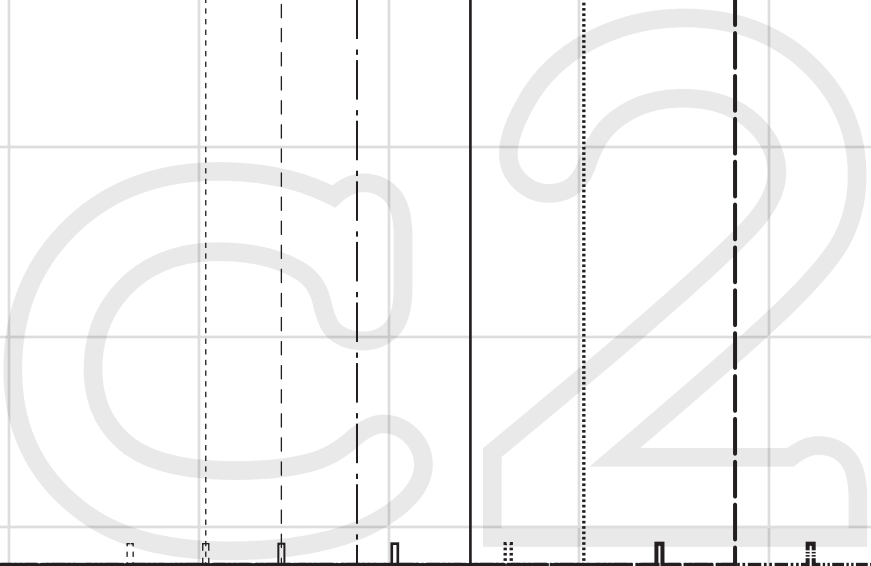
Cut on this line



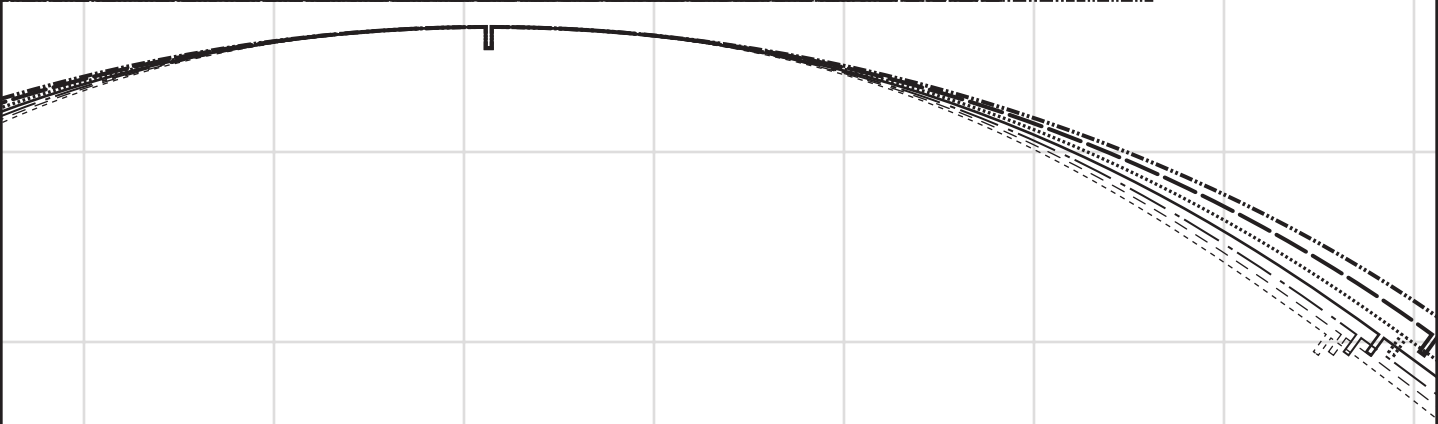
**Hem allowance 3 cm**

Cut on this line

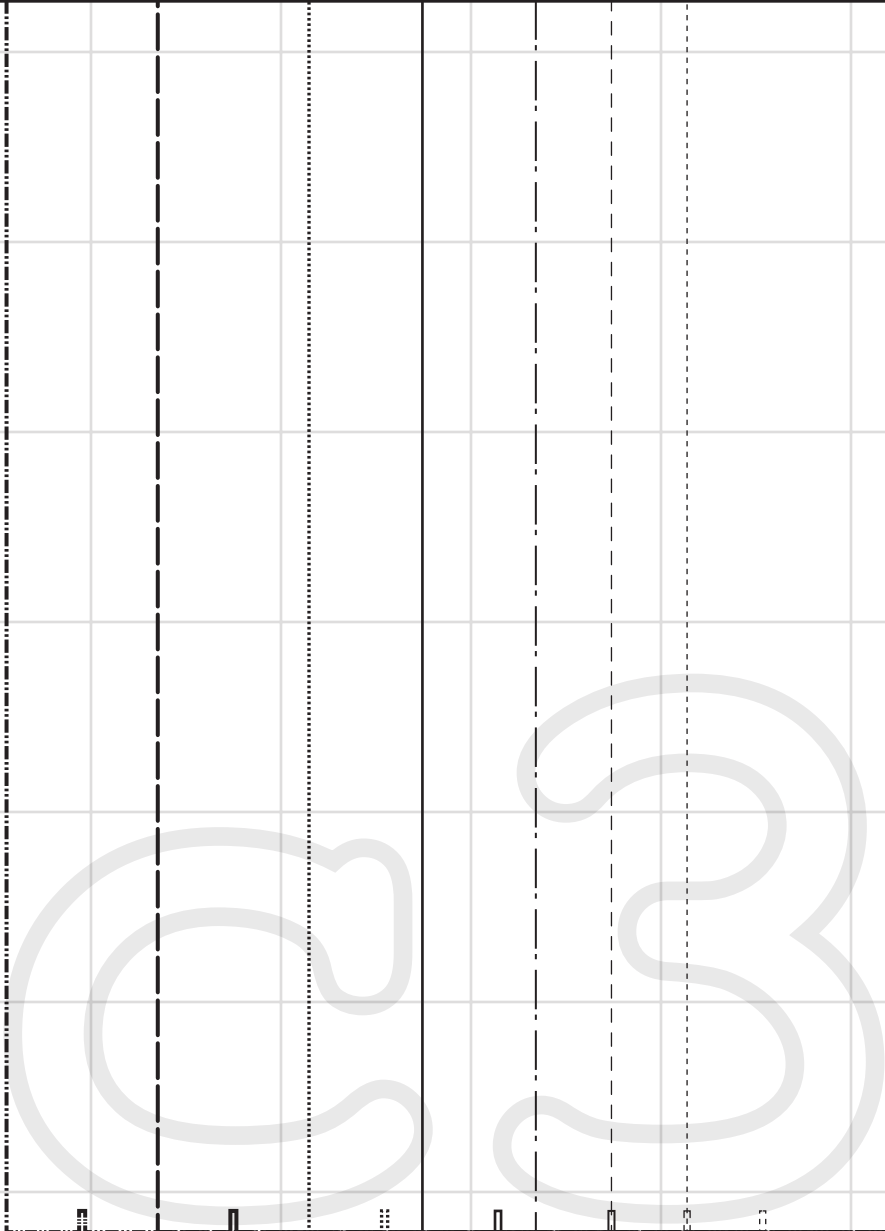
Cut on this line



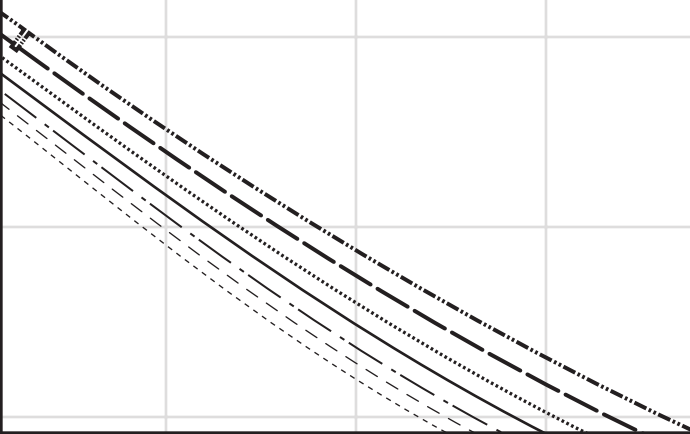
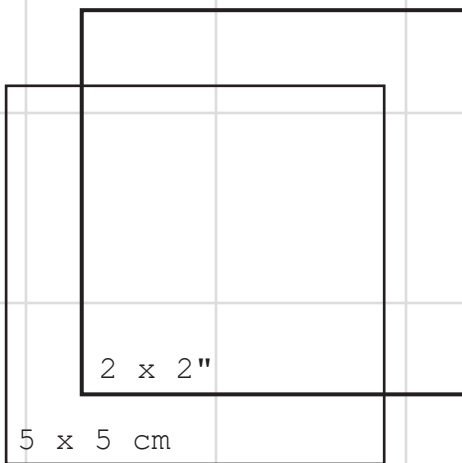
Cut on this line



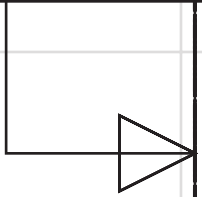
Cut on this line



Cut on this line



Cut on this line



**Hem allowance 3 cm**

**unfettered**  
— unfettered patterns —

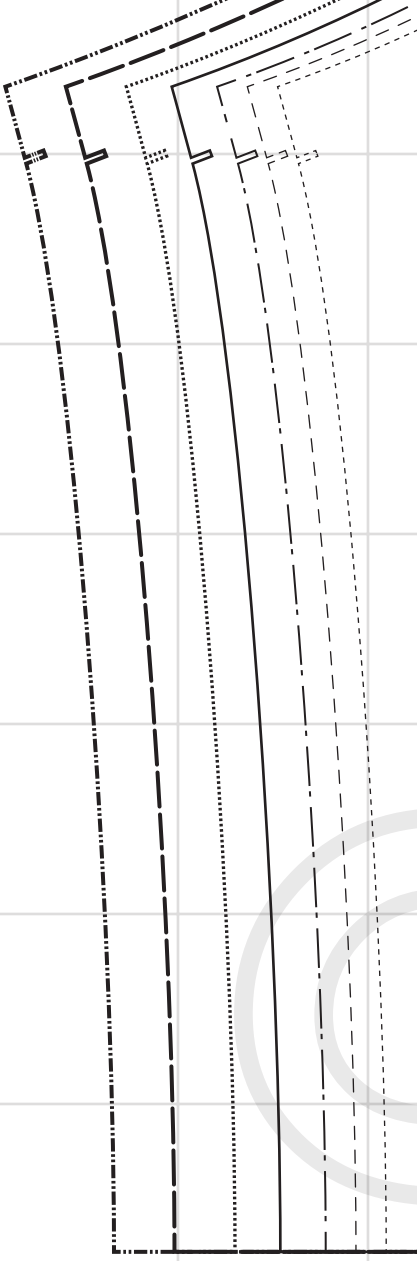
[unfetteredpatterns.wordpress.com](http://unfetteredpatterns.wordpress.com)

Model #UP1014

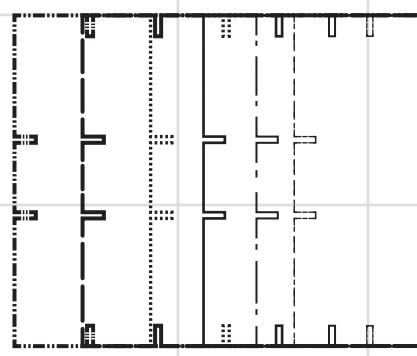
Sizes **XXS-XXL**

**Sleeve**

Cut x2 fabric



Cut on this line



[unfetteredpatterns.wordpress.com](http://unfetteredpatterns.wordpress.com)

Model #

Sizes **X**

**Ne**

Cut x1



Cut on this line

### SIZE KEY

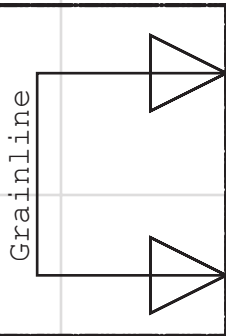
XXL	-----
XL	-----
L	-----
M	-----
S	-----
XS	-----
XXS	-----

Grainline

Hem allowance 3 cm

ss.com  
UP1014  
XS-XXL

ckband  
fabric





m

